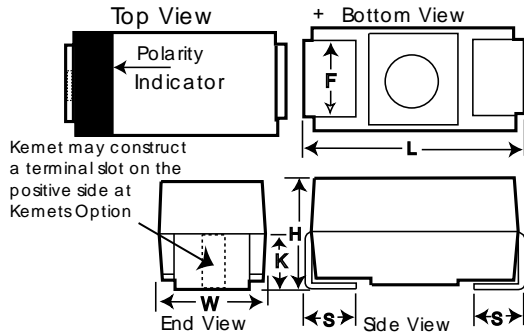


KEMET Part Number: T491A106K010ZT
(B45196H2106K109)

Capacitor, Tantalum, SMD, Molded, 10 uF, 3216, +/-10% Tol, 10 V (85C)



Dimensions (mm)		
Symbol	Dimension	Tolerance
L	3.20	+/-0.2
W	1.60	+/-0.2
H	1.60	+/-0.2
K	1.30	typ
F	1.20	+/-0.1
S	0.80	+/-0.3

Notes:

-In polarity stripe, at KEMET's option, type may be indicated: see catalog for explanation of symbols

-Old part number [Obsolete] was B45196H2106K109

General Information

Supplier:	KEMET
Part Type Description:	SMD, Molded
Construction:	Standard Chip-MnO2

Specifications

Capacitance:	10 uF
Voltage:	10 V (85C)
Voltage:	6.7V (125C)
Tolerance:	+/-10%
Application:	General Purpose
Temperature Range:	-55/+125C
Body Type:	Molded Chip
Footprint:	3216
Termination:	Tin
RoHS:	Yes
Leakage Current:	1 uA
Dissipation Factor:	6%
Impedance @ 100kHz:	4 Ohm

Packaging Specifications

Package Kind:	T&R
Package Size:	7in
Package Quantity:	2000